



ZR6FD logo

Drukwerk  
printing  
ZS6JPL

Papier / Paper  
ZS6JPL

# WATTS

08-2011

Year 81 + 8m

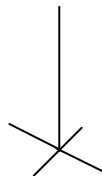
Monthly newsletter of the Pretoria Amateur Radio Club  
Maandelikse nuusbrief van die Pretoria Amateur Radio Klub.

✉ PARC, PO Box 73696 Lynnwood Ridge 0040, RSA

web <http://www.parc.org.za> mail: [zs6pta@zs6pta.org.za](mailto:zs6pta@zs6pta.org.za)

Bulletins: 145,725 MHz 08:45 Sundays/Sondae  
Relays: 1.840, 3.700, 7.066, 10.135, 14.235, 51.400, 438.825, 1297 MHz  
Activated frequencies are announced prior to bulletins

Swapshop: 2m and 7.066 MHz Live on-air after bulletins  
Bulletin repeats Mondays | herhalings : Maandae 2m 19:45



## ZS6P visited Friedrichshafen. One of the Mecca's of Ham Radio. Grand 3-Day affair !



### In this issue

- Minutes 13 July 2011
- Member's pages
- Member news and activities Lede-nuus en Aktiwiteite
- 2011 AGM announcement
- 2010 AGM Minutes
- Technical | D-Star repeater operational
- | Electronic rotary switch
- Page eight

### In hierdie uitgawe

- Notules
- Lede-bladsye
- Bladsy agt

### AGM

Date: **Sunday** 14 Aug  
2011  
Time: 13:00 for 14:00

**Venue:**  
**PMC premises**  
**Silverton**

## PARC Management team / Bestuurspan Aug. 2011 - Aug. 2012

Committee members

<b>Chairman, SARR liaison</b>	Pierre Holtzhausen	ZS6PJH	<a href="mailto:chairman@zs6pta.org.za">chairman@zs6pta.org.za</a>	012-655-0726	082-575-5799
<b>Viice-Chairman, Fleamarket</b>	Alméro Dupisani	ZS6LDP	<a href="mailto:fleamarket@zs6pta.org.za">fleamarket@zs6pta.org.za</a>	012-567-3722	083-938-8955
<b>Secretary, Treasurer</b>	Richard Peer	ZS6UK	<a href="mailto:treasurer@zs6pta.org.za">treasurer@zs6pta.org.za</a>	012-333-0612	082-651-6556
<b>Repeaters, Technical</b>	Craig Symington	ZS6RH	<a href="mailto:technical@zs6pta.org.za">technical@zs6pta.org.za</a>		081-334-6817
<b>Rally co-ordinator</b>	Johan de Bruyn	ZS6JHB	<a href="mailto:rally@zs6pta.org.za">rally@zs6pta.org.za</a>	012-803-7385	082-492-3689
<b>Web co-ordinator, Secretary</b>	Graham Reid	ZR6GJR	<a href="mailto:webmaste@zs6pta.org.za">webmaste@zs6pta.org.za</a>		083-701-0511
<b>Social co-ordinator</b>	Doréén de Bruyn	ZR6DDB		012-803-7385	082-857-9691
	Willie Greyling	ZR6WGR	<a href="mailto:social@zs6pta.org.za">social@zs6pta.org.za</a>		082-940-2490

Co-opted / Geko-opteer:

<b>Auditor</b>	Elma Basson				
<b>WATTS newsletter/Kits</b>	Hans Kappetijn	ZS6KR	<a href="mailto:editor@zs6pta.org.za">editor@zs6pta.org.za</a>	012-333-2612	072-204-3991
<b>Asset control</b>	Andre van Tonder	ZS6BRC	<a href="mailto:andre.vtonder@absamail.co.za">andre.vtonder@absamail.co.za</a>	361-3292	082-467-0287
<b>Klubfasiliteite, Vlooiemark</b>	Willie Greyling	ZR6WGR	<a href="mailto:facility@zs6pta.org.za">facility@zs6pta.org.za</a>		082-940-2490
<b>Rallies</b>	Johann de Beer	ZR6YV		011-918-1060	082-857-1561
<b>Contest co-ordinator</b>	Pieter Human	ZS6PA	<a href="mailto:contest@zs6pta.org.za">contest@zs6pta.org.za</a>	012-800-2888	082-565-6081
<b>Training co-ordinator</b>	Fritz Sutherland	ZS6ASF	<a href="mailto:training@zs6pta.org.za">training@zs6pta.org.za</a>	012-811-3875	083-304-0028
<b>Historian, Awards</b>	Tjerk Lammers	ZS6P	<a href="mailto:zs6p@iafrica.com">zs6p@iafrica.com</a>	012-809-0006	
<b>Public relations</b>	Alméro Dupisani	ZS6LDP	<a href="mailto:fleamarket@zs6pta.org.za">fleamarket@zs6pta.org.za</a>	12-567-3722	083-938-8955

## Minutes of the monthly club meeting of the Pretoria Amateur Radio Club held at the South Campus of the University of Pretoria on 13 July 2011.

**Welcome:** The chairman welcomed all present.

**Present:** See register, 8 members.

**Apologies:** See register, 7 apologies.

**Joys & Sorrows:** Nico ZS6AQ has moved to Elardus Park and is listening again. Hal ZS6WB is back on full strength. JB ZR6YV is also back to full health.

**Minutes:** The minutes of the June meeting were published. Approved by Hans ZS6KR and seconded by Fritz ZS6ASF.

**Matters arising:** Graham has a meeting with Chris Krause on Saturday 23 July.

**Rally:** The HMC rally is 13 August and "Cars in the Park" is on 7 August. Johan ZS6JHB requires assistance at both events.

**Finances:** The bank balance is R5895.97, there is about R4000 cash in hand.

**AGM:** The AGM is on Sunday August 14 at 14H00 at PMC where the flea markets are held. There is currently no guest speaker. Based on the RSVP's received we should cater for about 40 people. Only 1 motion was received concerning meeting dates. Andre ZS6BRC has been asked to run the election. There will be braai packs arranged for the social afterwards. No increase in membership fees is envisaged, which are currently R150 for ordinary members, and R50 for spouse, student and pensioner members.

**RAE:** Thanks to Fritz ZS6ASF for the effort of the RAE. The second half course will start on 21 July.

**Flea Market:** The date of the next flea market is 3 September and will be held at PMC at 08:00.

**Technical:** Craig ZS6RH gave a detailed report on the repeater, covering gap fillers in Midrand and Wonderboom. Webb Industries has forced the WiFi people to use screened cable on towers, which has lessened interference.

**Web site:** Graham ZR6GJR is appointed to admin the web site. The current web site is paid till October 22. Some parts of the web site updates have presented some problems. There should be a banner asking about membership en route to the Watts page, the newest issues should only be uploaded after a period of time. There was a discussion on various features of the site. The instructions for the swap shop access are very unclear. Electronic applications are not forwarded to the database manager.

**Website:** This will move to a local ISP and will be done free of charge. We will likely use Chris as webmaster in future.

**Next meeting:** The next meeting will be The AGM on Sunday 14 August 2011 at 14:00.

## Birthdays

## Aug Verjaarsdae



- 01 Sue ZS6SUE
- 02 Marelise, lv van Pierre ZS6PJH
- 03 Paul ZS6BMF
- 04 Ceciel, lv van Flip ZS6BSO
- 05 Hans ZR6HVG
- 06 Edwin ZR6ESP, son of Richard ZS6UK and Molly ZR6MOL
- 07 "JB" ZR6YV
- 07 Whitey ZS6JJJ
- 08 Ray ZS6ALG
- 08 Marnix ZS6MCM
- 08 Tobie ZS6ZX
- 10 Anne ZR6AUL, daughter of Frances ZR6AUT
- 14 Harry ZS6HRD ( 88 )
- 15 Roger ZS6RJ

## Aug Anniversaries Herdenkings

- 07 Peggy and Ed ZS6UT ( )
  - 09 Vlasta and Ivan OK1LL ( 40 )
  - 18 Zdena and Ivo ZS6AXT ( 55 )
  - 20 Bertha en Hans ZS6KR ( 45 )
  - 30 Darlington and Hilary ZR6HAP ( 03 )
- 
- 15 Samantha, daughter of Sue ZS6SUE
  - 15 Molly ZR6MOL, sw of Richard ZS6UK
  - 16 Marie, dogter van Poppie ZS6BCP en Hansie ZS6AIK
  - 15 Doppies ZS6BAQ
  - 26 Sinead, daughter of Heather and Vincent ZS6BTY
  - 28 Jean ZS6ARA
  - 30 Jonathan ZR6JON, son of Sue ZS6SUE

## Joys and Sorrows | Lief en Leed

**Aif ZS6ABA** had another back operation on 8 July  
**Mark ZS6USA** has left for Germany and made provision to retain his club membership.  
**"JB" ZR6YV** has been cleared OK after medical tests  
**Nico ZS6AQ** has settled in Elardus Park and will slowly get back into Ham Radio

### † Freddie Calitz ZS6JC

passed away 20 July 2011 after a period of ill-health.  
He was a long standing PARC member.  
Our sincere condolences go out to his family.

## Diary | Dagboek (UTC times)

- Aug
- 07 **SARL HF Phone Contest 13:00-16:30**
- 09 **SARL YL Sprint**
- 13 **PARC AGM**
- 21 **3<sup>rd</sup> leg of SARL digital competition**
- 28 **SARL HF CW Contest**
- Sept
- 08 **PARC Fleamarket**

### Be just in time!

#### PARC SUBS / LEDEGELD 30-06-2011

Please remit your subs in  
time to our treasurer or  
by transfer to:

Betaal asb. u ledegeld  
betyds aan ons tesourier  
of per oorplasing aan:

Bank : FNB Ordinary members/ gewone lede R150  
Branch : 25 20 45 Spouses, pensioners R50  
Account : 546 000 426 73

**Your call sign must appear as statement text! !**

**SARL Subs** have also been due since 30 June

## Snippets | Brokkies

- **Current repeaters: 145,725 (Radcliffe), 438,825 (Radcliffe), Use 433,725 simplex (X-band to Radcliffe) from New Road and further south. Similarly use 433,725 simplex north of the Magalies ridge to reach Radcliffe.** Thanks to Craig ZS6RH we have excellent coverage in previously sketchy 2m areas. Also see our Club News page for detail. In order to prevent lock-ups there is 3 minute time-out-timer (TOT) on each so restrict your overs to less than 3 minutes.
- The PARC is appealing to members to support our club in volunteering to partake in **Rally Communications**. You can gain a wealth of experience in the real world of radio in the field.
- **RAE lectures** are pending sufficient interest. Contact Fritz ZS6ASF 083-304-0028 012-811-3875 to receive a schedule or see it on Club News on our website. The exam registration deadline is 25 Sept.
- The PARC still has a **vacancy for a Contest Organizer**. Volunteers can opt for either V/UHF only, HF only or both.

## New DXCC country

**The government of South Sudan have declared their independence from Sudan on 9 July 2011.**

The Intrepid DX Group and the DX Friends/Tafiriti Gang ([www.dxfriends.com/SouthernSudan2011](http://www.dxfriends.com/SouthernSudan2011)) are in the new capital of Juba and have now started their DX-pedition. They will have 18 operators operating 24/7 on 7 active stations. Apart from HF they will operate 6m with a 7 el yagi and 1 kW on 50,103 MHz CW and 50,11 5MHz SSB.

# AGM | Sunday 14 Aug 2011 | AJV

Venue: PMC premises

There will be presentation by Louis Pieterse on INTERFERENCE

One motion to discuss Club meeting days and times was received.

Members must please indicate if they will attend the AGM for the purpose of budgeting and catering.  
Lede moet asb laat weet of hulle sal bywoon vir begroting- en spysenieringdoeleindes.

Please notify Richard 012-333-0612 or [ZS6PTA@QSL.net](mailto:ZS6PTA@QSL.net) or Fax 086-518-6414 before the end of July

**!! Only paid-up members may nominate and vote at the AGM.  
!! Slegs opbetaalde lede mag by die AJV nomineer en stem.**

## Minutes of previous AGM Meeting held at the University of Pretoria 14 August 2010 at 14:00

**Present:** 25 Members as per attendance register.

**Apologies:** Brendan ZS6BW, Don ZS6AQS, Lynnette ZR6LHT, Nico ZS6AQ.

**Silent Keys:** They meeting had a moment of silence to remember our silent key: Gert ZS6ZB.

**Minutes:** These were read by the secretary, acceptance proposed by Alméro ZS6LDP and seconded by Willie ZR6WGR.

**Matters arising:** It was noted that audited finances were not presented last year.

**Guest Speaker:** Deryck ZS6KQ gave a short talk on the joys of amateur radio and conveyed thanks to Hans for his efforts with WATTS.

**Chairman's report:** The report document is enclosed.

**Financial:** The report was presented by the treasurer. Both the 2009 and 2010 reports have been audited. It was noted that hard assets should also form part of the balance sheet. Acceptance: proposed by Tjerk ZS6P and seconded by Johan ZS6JHB.

**Motions:** It was accepted that the financial year end in the constitution be changed to match the actual year end which has always been end of June.

There was heated discussion on the subject of raising subscriptions. It was noted that the web site will cost about R2000 per year based on Hosting costs of R1000 and web site administration of R1000. There were many varied proposals and after much debate it was finally agreed that ordinary subscriptions would be R150 per year and that the reduced rates for pensioners, spouses and dependents would remain unchanged.

**Auditor:** It was agreed that Mrs. E. Basson be retained as auditor.

**Election:** Tjerk ZS6P handled the election. The nominations were Richard ZS6UK, Alméro ZS6LDP, Craig ZS6RH, Pierre ZS6PJH, Johan ZS6JHB, Willie ZR6WGR, Peter ZS6PJ, Graham ZR6GJR and Doréen ZR6DDB. Tjerk ZS6P proposed that all the nominees be accepted, this was accepted by the meeting. The only nomination for chairman was Pierre ZS6PJH and this was accepted by the meeting and Pierre was declared elected to the chair. The new chairman thanked the outgoing chairman in accepting the position, thanking the meeting for their confidence in him.

**The meeting closed at 15:30.**

## International HF contesting activity in South Africa and PARC: Little interest?

The **CQ World-Wide WPX Contest** preliminary results (they may still change after checking) for CW have come out and Sam ZS6BRZ and Roger ZS6RJ nailed it for 1<sup>st</sup> all band in SSB and CW in South Africa. The CW scores for the rest of Africa are scary!

The results of the **2011 ARRL International DX Contest (CW)** were also released. This time there was quite a good showing by ZS hams. ZS6RJ entered the 10m band category this year and had quite a good run.

### SSB / Africa

#### Single-Op High All Bands

ST2AR. (T) .....	13,407,750	(S53R)
ZS6BRZ .....	1,954,528	←
CR3L. (T) .....	1,758,722	(DL9OLI)
ZS9Z .....	1,455,148	(ZS10IN)
5N7M .....	867,504	
EC8AFM .....	395,416	
J28RO .....	92,550	(F5IRO)
EA8CNB .....	37,740	

In ZS, ZS1EL won the 15m, ZS6RJ the 10m and ZS2NF all band low power.

#	Call	Score	QSOs	Mult	Class	Power	1-Band
1	ZS1EL	53,820	349	52	S		15
2	ZS2NF	50,478	180	94	S	B	
3	ZS6RJ	43,800	372	40	S		10
4	ZS1JY	29,925	133	75	S	B	
5	ZS6A	11,400	82	50	S	B	
6	ZS6C	7,011	57	41	S	B	

### CW / Africa

#### Single-Op High All Bands

EF8M .....	19,134,061	(RD3A)
6W/RK4FF .....	11,411,780	(RK4FF)
ED8A. (T) .....	7,711,808	(EA8AY)
ZS6RJ .....	663,120	←
EG8DDC .....	18,592	

#	Call	Score	QSOs	Mult	Class	Power	1-Band
1	J5NAR (HA0NAR, op)	112,896	790	48	S		10
2	ZS6RJ	43,800	372	40	S		10
3	5H3EE	40,446	325	42	S		10
4	EA8DA	6,396	82	26	S		10

**On the local contest scene** Our **Pieter Human ZS6PA of PARC** made third place in the recent ZS4 Sprint and **Ed ZS6UT** 2<sup>nd</sup> place in the Top Band Contest held last June.

**Can we expect some more club participation this season?** Why not give it a go on the 7<sup>th</sup> and 28<sup>th</sup> of August – See Diary p3.

## Commonwealth (BERU) Contest results – some ZS's were in Team Africa

Pos	Team	Score	Members
1	Rest of the Commonwealth	65572	C4Z, J68PJ, J88DR, P3J, VP2MXF, VP2V/G3PHO, VP8NO, ZB2EO, ZC4LI, 8P6DR
2	Canada	63055	VO2AC, VE3EJ, VE3KI, VE3OI, VE3ZI, VE3KZ, VO1TA, VY2SS, XL3A
3	Australia	46508	VK2BJ, VK2IM, VK4BUI, VK4SN, VK4XY, VK6BN, VK6DXI, VK8AV
4	UK	45485	G0IVZ, G6MC, G3LET, G3WPH, G5LP, G6PZ, GM0GAV, GM3POI, G0KPW, GM4FAM
5	Africa	36899	V51YJ, 5X1NH, 9J2BO, ZS1EL, ZS6KR, ZS6C, 5H3EE, 5N7M
6	Asia	6215	9M6/VO1AU, VU2UR

No entry from Team New Zealand this year and, of the others, only Team Rest of the Commonwealth managed to field all their registered players

## ZS6KR HF Mobile again. FT857D face mount found a convenient insertion slot



# D-STAR Operational 145,7125 MHz - Status-quo report to Multisource

Good morning Andre & Byron,

I have the pleasure to report that the D Star repeater made available by Multisource Telecoms to the Icom Hamshack and the Pretoria Amateur Radio Club is now fully operational and linked to the International gateway. This is the first and only South African D star repeater that is now officially registered. The team responsible for the implementation consisted of Craig ZS6RH and Sander ZS6SSW from the Pretoria Amateur Radio Club.

I would also like to use this opportunity to thank them for the many hours of research and implementation of the system. It involved the setting up of the repeater and infrastructure on site and an in depth study of all the parameters and settings. The repeater was up and running within the 1st week of receiving it from Multisource and D Star users immediately started using it. We have 5 amateurs currently with D Star equipment active on the repeater. The actual setting up of all the parameters took a while longer and needed quite a bit of study and research. Well done to Craig and Sander.

As soon as the other South African repeaters are registered on the gateway we will be able to communicate with them. Once that has been established I am sure we will see an increase in D Star equipment sales and activity. Many thanks again for this opportunity we are looking forward to push the boundaries of technology.

Regards, Jan Pienaar ZS6OB

---

**Pine ZS6OB**



**Craig ZS6RH**



**Sander ZS6SSW**



## Report by Craig ZS6RH:

Afrikaanse weergawe te sien op ons webblad by "Club News"

The Pretoria Amateur Radio Club has implemented another first when they commissioned a fully integrated D-STAR repeater and gateway. This exciting digital means of communication not only means better bandwidth utilization, and higher quality communications, but also offer previously unheard advantages like call routing and user tracking. The worldwide system of linked gateways will, for instance, keep track of which repeater a user is connected to in order to route calls to the user.

APRS tracking is integrated and users simply add a GPS receiver to their transceiver and set up the software in the radio as required. Linking between repeaters on different frequencies in the same area or another town or country is a few keystrokes away, and happens on a digital level, so there is minimal audio degradation. Interference is minimized, hisses and crackles are gone and the system is practically infinitely expandable and inter-connectable.

In order to promote the technology in Africa, Icom Japan has made available 5 VHF D-Star repeaters through its local importer Multisource for operation in South Africa. Pine ZS6OB, a local ICOM dealer of "The ICOM Hamshack" offered PARC the opportunity to host the Pretoria D-Star repeater. Craig ZS6RH, the committee member with the D-Star portfolio was approached and with the committee's approval seconded Sander ZS6SSW for the networking part of the project.

The ZS6PTA D-STAR repeater is available in the Pretoria area provisionally on 145.7125 MHz with standard offset. Further information and registration is available on <http://www.parc.org.za>

---

**What is D-Star?** D-STAR (Digital Smart Technologies for Amateur Radio) is a digital voice and data protocol specification developed and researched by the [Japan Amateur Radio League](#) to investigate digital technologies for [amateur radio](#).

While there are other digital on-air technologies being used by amateurs that have come from other services, D-Star is one of the first on-air and [packet](#)-based standards to be widely deployed and sold by a major radio manufacturer that is designed specifically for amateur service use. By comparison to AM, FM and SSB,

D-STAR signals offer clearer signals and use less [bandwidth](#). As long as the [signal strength](#) is above a minimum threshold, without [multi-path](#), the quality of the data received is superior to analog signals at the same level.

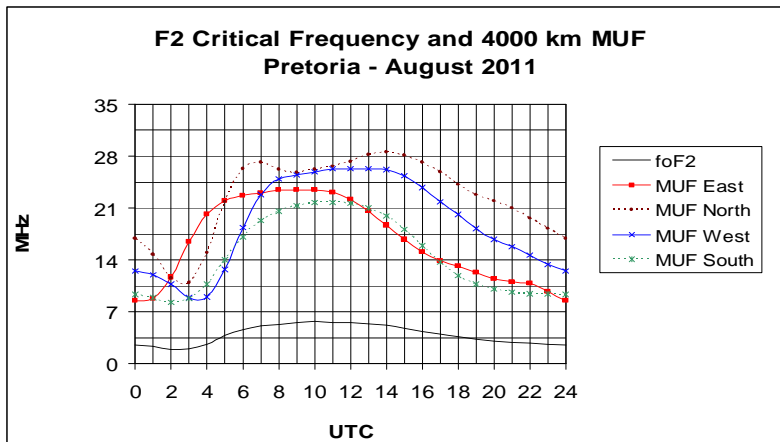
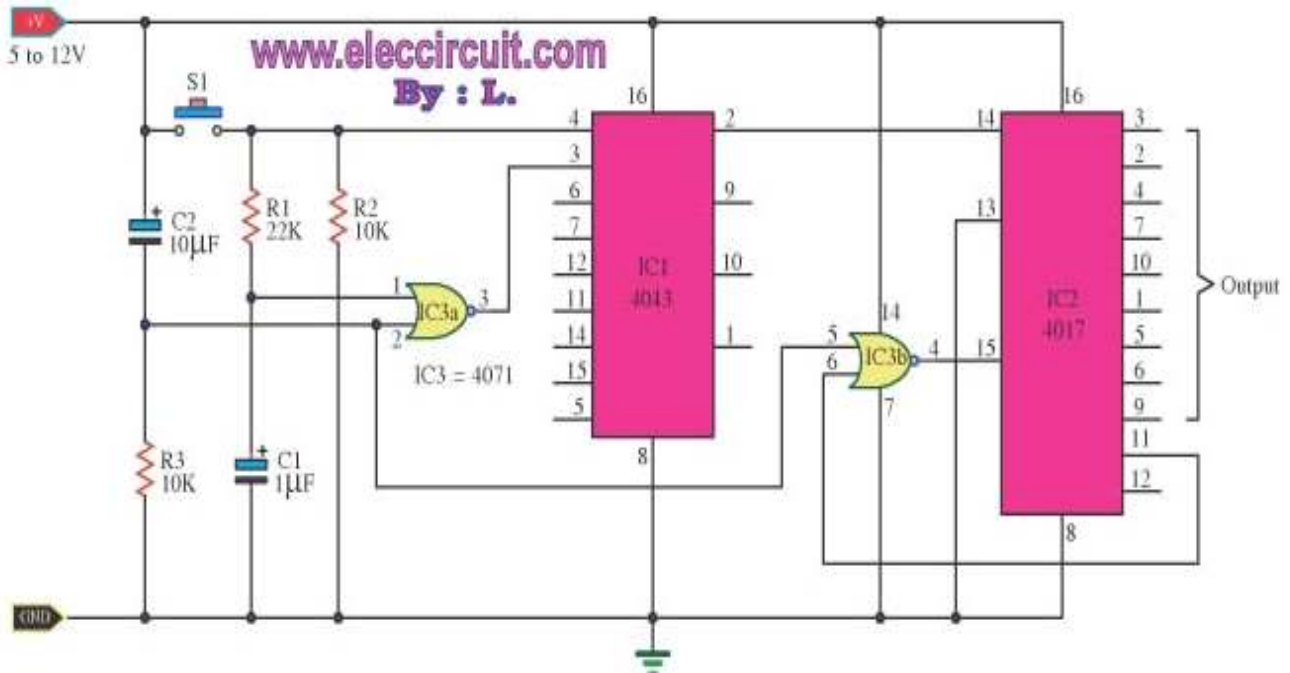
D-Star compatible radios are available on [VHF](#), [UHF](#), and microwave amateur radio bands. In addition to the over-the-air protocol, D-Star also provides specifications for network connectivity, enabling D-Star radios to be connected to the Internet or other networks and provisions for routing data streams of voice or packet data via amateur radio callsigns.

The first manufacturer to offer D-Star compatible radios was [Icom](#). The technology requires the use of a proprietary [AMBE Codec](#) that is owned by Digital Voice Systems, Inc. and is only licensed to Icom at this time.

---

# Rotary electronic switch (original on *eleccircuit.com* in poor English)

With this circuit a single push-button emulates turning a 9-position rotary - or sequential - switch. Eight outputs are always low while the chosen position is high.



## Long Term HF Propagation Prediction for Aug 2011

Courtesy ZS6BTY

(see also our website propagation tab)

### DX Operating

The graph shows the 4000 km maximum useable frequency (MUF) to the East, North, West and South from Pretoria for the first hop using the F2 layer.

### Local Operating

The F2 critical frequency (foF2) is the maximum frequency that will reflect when you transmit straight up. E-layer reflection is not shown.

### QRV Services offers the following expertise:

- General equipment repairs and calibration
- Small-scale design and manufacturing
- Technical writing
- 3<sup>rd</sup> Party scrutiny of projects and documents
- Expert TV repairs and second-hand TV sales
- MFJ 259/69 Analyzer repairs and calibration

### and products:

- Morse Mate
- Legal limit 40m dipole traps
- Radio power supply OV protection kits
- Nissei SWR/Power meters HF and VHF/UHF
- Connectors RF and DC
- Plug-in triple sequential industrial timer

Contact Hans at 012-333-2612 or 072-204-3991



## Amateur Electronic Supplies

Your Affordable Amateur Radio Dealer

Johan Lehmann ZS6JPL

083 3008677 / 012 8413648

aesham@telkomsa.net



CABLE & INTERCONNECT SOLUTIONS  
FOR TELECOMS, BROADCAST  
AND MIL/AERO MARKETS



**Cunningham**  
RADIO TUBES



**Name-integrity  
is important  
in your tube  
selection**

For your mark of recognition, we have reproduced the characteristics that identify the genuine.

Tubes that have had long, constant use should be replaced with *new*, correct Cunningham Tubes to enable you to enjoy modern broadcast reception.

Look for the name CUNNINGHAM on the Orange and Blue Carton

E. T. CUNNINGHAM, Inc.  
New York Chicago San Francisco  
Dallas Atlanta

Manufactured and sold under rights, patents and inventions owned and/or controlled by Radio Corporation of America.

*Wearing headphones for just an hour will increase the bacteria in your ear by 700 times.!?!*

American dollars are the most counterfeited currency on Earth. It is estimated that one in every 300 US dollar notes is a fake.

The ultimate result of shielding men from the effects of folly is to fill the world with fools. — Herbert Spencer, *English philosopher (1820-1903)*

Suppose you were an idiot. And suppose you were a Member of Parliament... But then I repeat myself. — Mark Twain

A government which robs Peter to pay Paul can always depend on the support of Paul. — *George Bernard Shaw*

Democracy must be something more than two wolves and a sheep voting on what to have for dinner. — James Bovard, *Civil Libertarian (1994)*

Foreign aid might be defined as a transfer of money from poor people in rich countries to rich people in poor countries. — *Douglas Casey*

If you think health care is expensive now, wait until you see what it costs when it's free! — PJ O'Rourke, *Civil Libertarian*

What this country needs are more unemployed politicians. *Edward Langley, Artist (1928 - 1995)*

"If you don't read the newspaper you are uninformed; if you do read the newspaper you are misinformed." — Mark Twain

I contend that for a nation to try to tax itself into prosperity is like a man, standing in a bucket and trying to lift himself up by the handle. — *Winston Churchill*

I don't make jokes. I just watch the government and report the facts. — *Will Rogers*

Just because you do not take an interest in politics doesn't mean politics won't take an interest in you! — *Pericles (430 BCE)*

Talk is cheap... except when Parliament does it. — *Unknown*

A government big enough to give you everything you want, is strong enough to take everything you have. — *Thomas Jefferson*